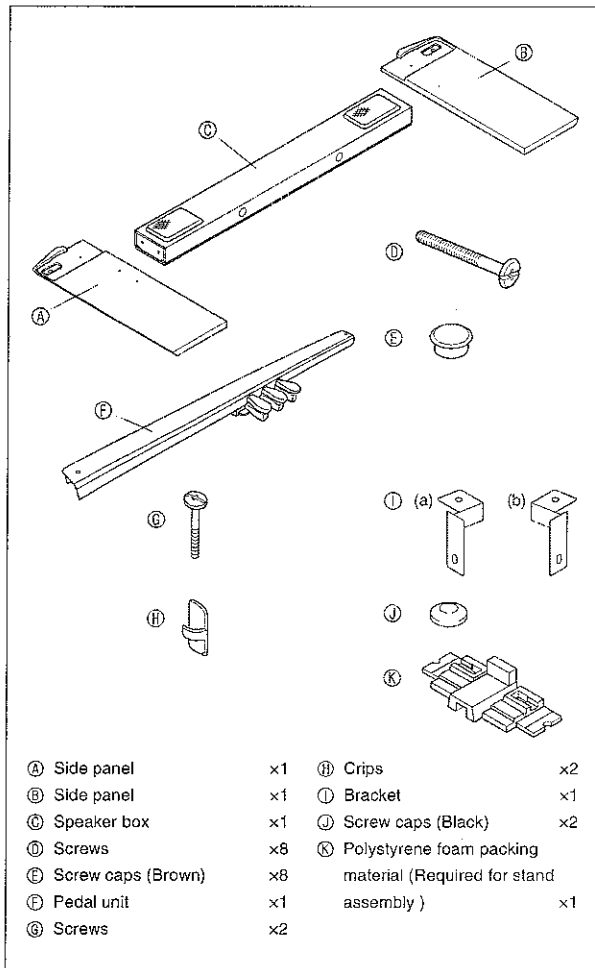


# Assembling the Stand

## Unpacking

### PREPARATION

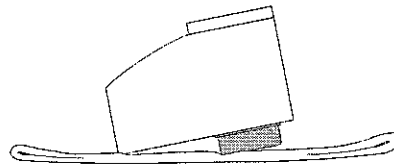
- Before starting assembly, check to make sure that you have all the parts shown below. You can find the screws in a plastic bag inside of the polystyrene foam packing material.
- This stand does not include any of the tools required for assembly. It is up to you to prepare a large Philips head (+) screwdriver for assembly.



## Assembling the Stand

### ⚠ CAUTION

- The stand should be assembled by two people working together
- The stand should be assembled on a flat surface
- Do not remove the tape securing the keyboard cover in place until assembly is complete. Removing the tape can cause the keyboard cover to open and close during assembly, creating the risk of personal injury to your hands and fingers
- Take care that you do not pinch your fingers between parts when assembling them
- When placing the digital piano on the floor, be sure to place it on something soft (a blanket, cushion, etc.). Do not place the digital piano directly onto the floor



### ⓘ NOTE

- When attaching the digital piano and the speaker box Ⓒ to side panels Ⓐ and Ⓑ, lay the entire assembly on its side
- Be sure to follow the proper procedure when assembling the stand. Be especially careful in the case of steps 2 and 3: Reversing these two steps creates the risk that the connector will not be plugged in fully

**PREPARATION**

- Before starting assembly of the stand, divide the polystyrene foam packing material ㉔ into the sections shown in Figure 1. Use the packing material to secure side panels ㉑ and ㉒ as shown in Figure 2. You will have an easier time assembling the stand if the side panels are raised as shown in the illustration.
- If you do not have any packing material available for some reason, use a magazine or some other thick item

Figure 1

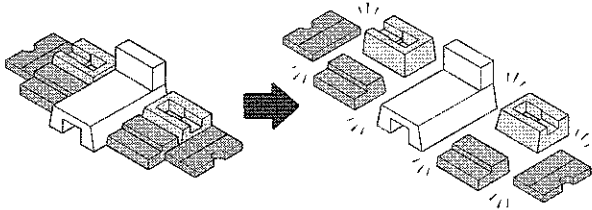
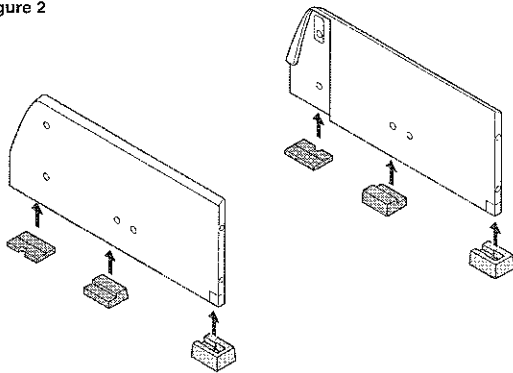
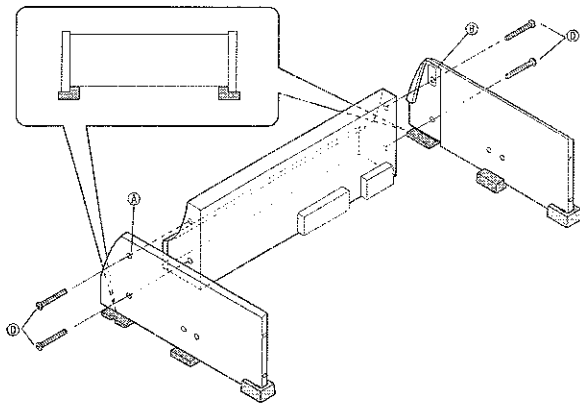


Figure 2

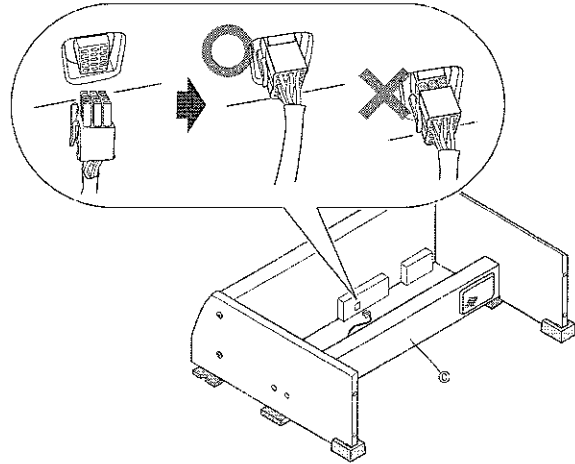


1. Attach side panels ㉑ and ㉒ to the digital piano. Secure the side panels using four screws ㉓.

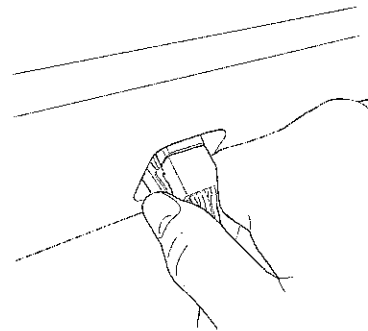


2. Plug the speaker box ㉔ cable into the speaker connector on the bottom of the digital piano.

- Stand the speaker box ㉔ up on its edge as shown in the illustration when connecting the cable.
- Press the plug fully into the connector as far as it will go

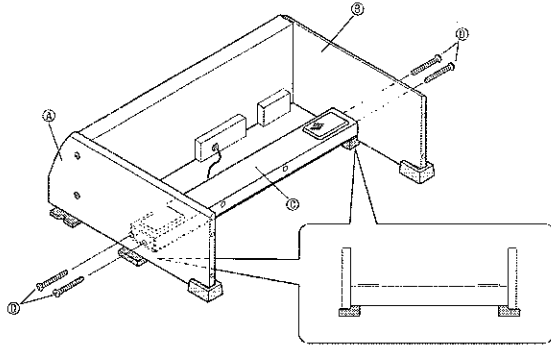


- When disconnecting the connector, press the hook as shown in the illustration below as you pull out.



**3.** With the speaker box ③ laying on its side as shown in the illustration, secure side panels ④ and ⑤ to the speaker box ③. Secure the side panels using four screws ⑥.

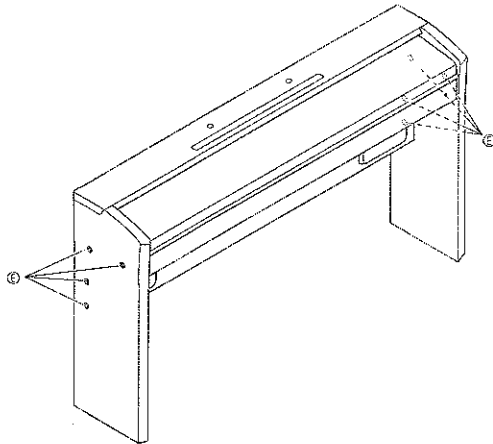
- Align the screw holes of the speaker box ③ with the screw holes of the side panels as you install the screws ⑥.
- Partially tighten the screws on one side of the speaker box ③ and then fully tighten the screws on the other side
- Next, fully tighten the screws that you partially tightened



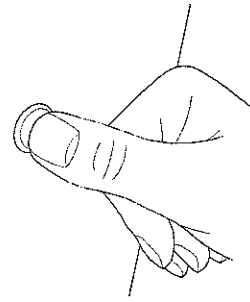
- You can also install the speaker box ③ so it faces towards the back of the stand

**4.** After ensuring that all of the screws are fully tightened, remove the packing material and stand up the stand.

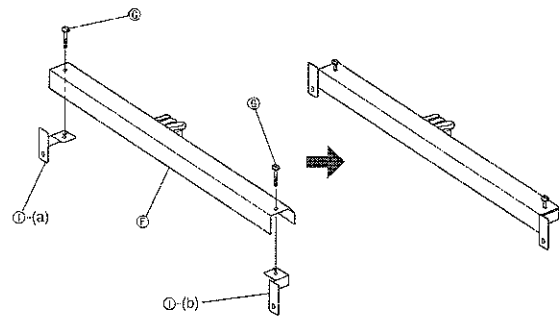
- Cover each of the eight side panel screws with screw caps ⑦



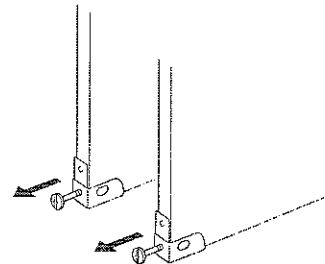
- Insert screw caps at the locations indicated in the illustration and press them in as far as they will go



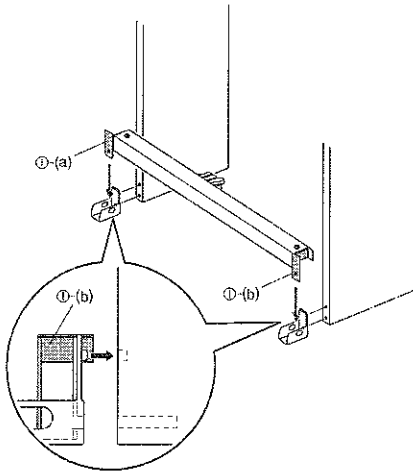
**5.** Attach the brackets ① to the pedal unit ②, and temporarily secure them with screws ③.



**6.** Remove the screws that hold the corner brackets in place on the back corners (the corners away from the pianist) of the side panels.



7. Turn around the corner brackets as shown in the illustration, and insert them between pedal unit brackets ①-(a) and ①-(b), and the edges of the side panels.

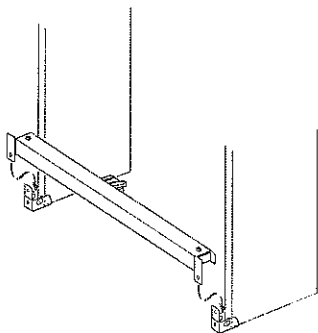


**⚠ WARNING**

- The corner brackets help to prevent the stand from tipping over. Whenever the stand is in a location that is not up against a wall, reorient the corner brackets as shown in the illustration. Leaving the corner brackets in their original orientations can make it easy for the stand to tip over towards the back, creating the risk of personal injury.

**Locating the Stand against a Wall**

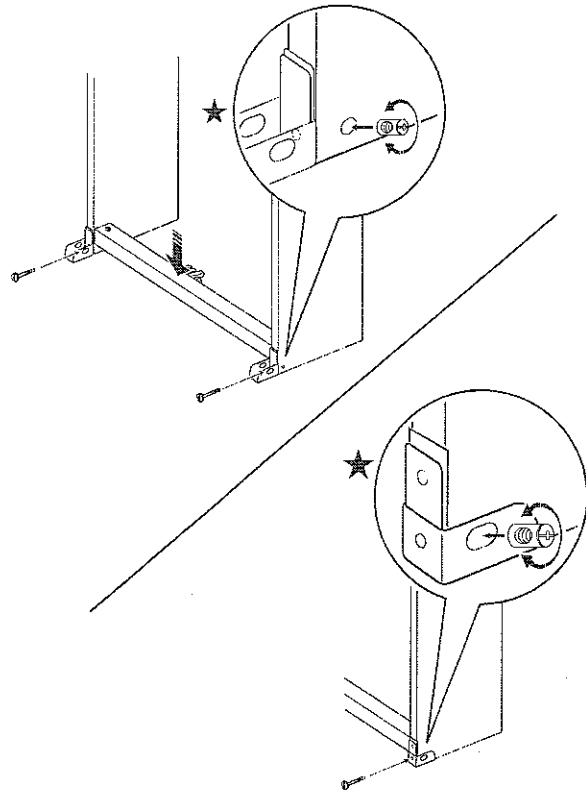
Leaving the anti-tipping brackets in their original orientation, insert the pedal unit brackets between the anti-tipping brackets and the edges of the side panels.



8. Secure the corner brackets to the stand using the screws you removed in step 6.

**⚠ IMPORTANT!**

- When tightening the corner bracket screws, press down on the pedal unit to ensure that the pedal part comes into contact with the floor.



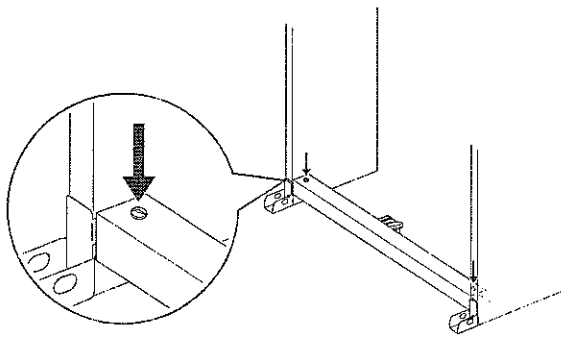
- The side panels have joint connectors inside that engage with the corner bracket screws. If you have trouble inserting the screws into the joint connector screw holes, use a screwdriver to rotate the joint connector and adjust the position of the screw hole for easier access. See the detail drawing (marked with a star) in the above illustration.

### To tighten the joint connector and screw

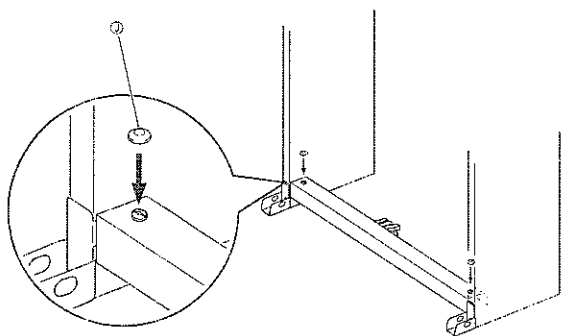
- (1) Rotate the screw counterclockwise about three turns to ensure that the screw is in the center of the joint connector
- (2) Slowly rotate the screw clockwise and confirm that it tightens without resistance. If you feel any resistance, it means that the screw is not engaging properly with the joint connector. Rotate the screw counterclockwise again and try to get it to engage properly.
- (3) If you experience problems getting the screw to engage properly, use a screwdriver to rotate the joint connector 180 degrees. Next perform steps (1) and (2) again to engage the screw from the screw hole on the other side

\* Forcibly tightening a screw while it is not engaged properly can strip the threads of the screw and joint connector, making them unusable

9. Securely tighten the screws ⑥ that you temporarily tightened in step 5.



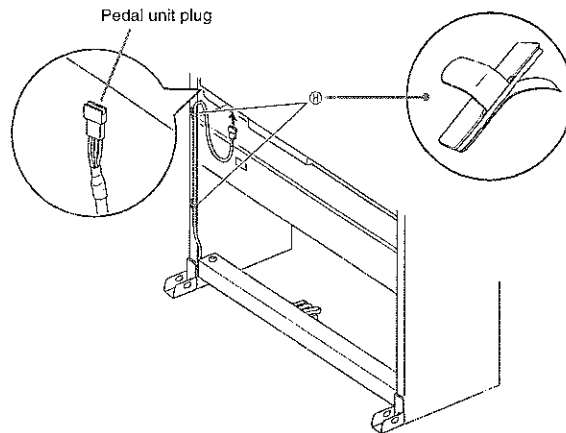
10. Cover the screw heads with the caps ⑦.



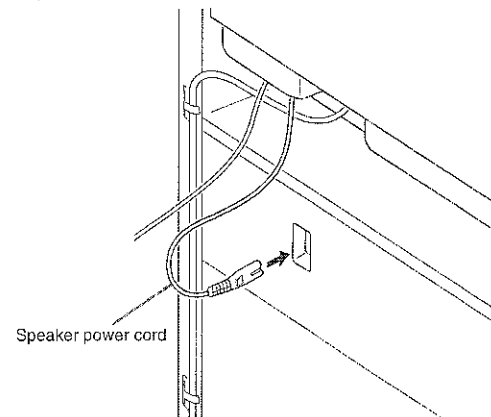
### To connect cords

1. Orienting the pedal unit plug as shown in the illustration, plug it into the pedal connector on the bottom of the digital piano. Secure the pedal cord with clips ⑧.

- Attach the clips ⑧ at two locations to the stand's side panel as shown in the illustration.



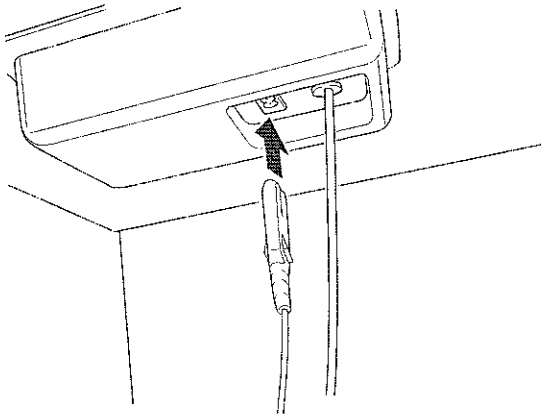
2. Connect the speaker power cord that comes out of the power supply box to the speaker box.



3. Check to make sure that the **POWER** button is in the OFF position (raised). If power is on, press the **POWER** button to turn it off.

4. Plug the power cord that comes with the digital piano into the AC power jack on the bottom of the digital piano.\*

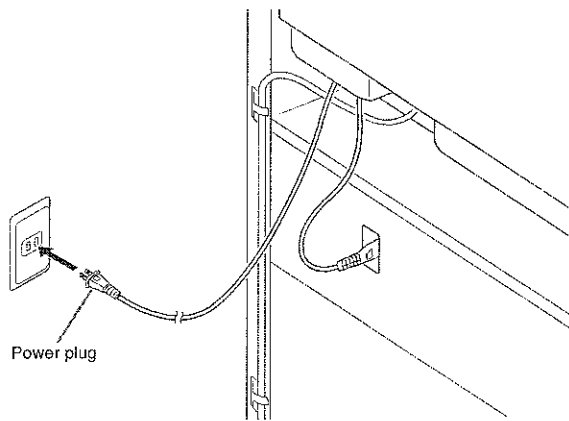
\* PX-800V only



5. Plug the power cord into a household power outlet.

**IMPORTANT**

- The shape of the power cord plug and household power outlet receptacle differ according to country and geographical area. The illustration shows just one example of the shapes that are available
- The power cord of the PX-800 is hard-wired to the digital piano.



**CAUTION**

- The screws of the stand can work loose due to the effects of temperature and humidity changes, vibration, etc. Because of this, you need to periodically check the screws for proper tightness. Retighten any loose screws you find.
- To power the digital piano, use a power outlet that allows easy access when plugging in or unplugging the power cord.

**To install the music stand**

1. Slide the music stand under the two bolts on the top of the digital piano as shown in the illustration and then tighten the bolts.

