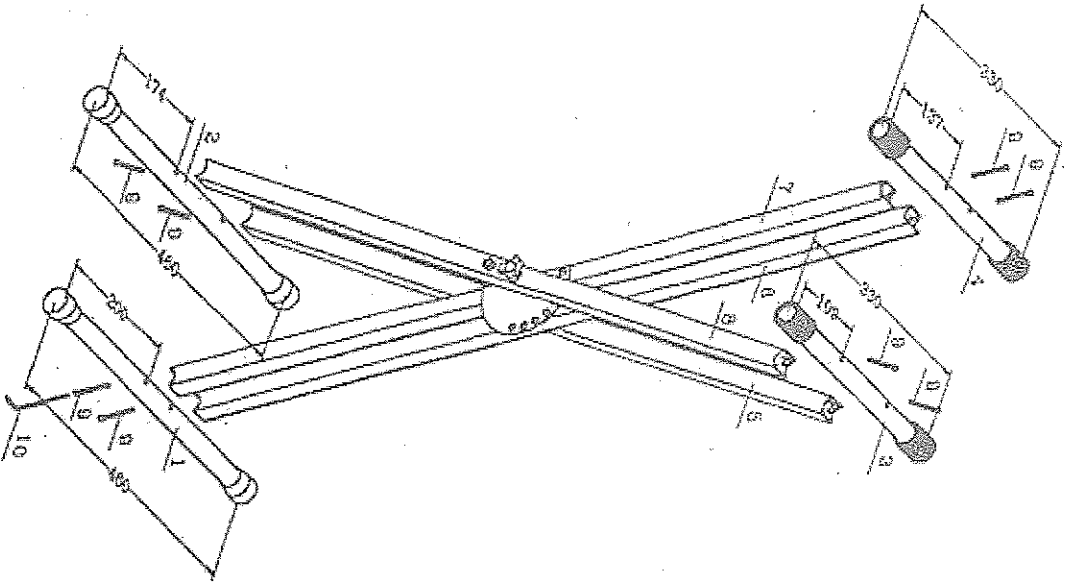


**GSDX**



**CASIO**

**ADJUSTABLE DELUXE KEYBOARD STA  
MODEL #GSDX**

**Assembly Instructions:**

For the convenience of the user, structural components 1, leg No.6, 7 are pre-assembled at the factory. The rest of the assembly procedures follows:

1. Fasten screw No.9 through stem No.1 to connect leg No.6 and 7 b wrench supplied.
2. Fasten screw No.9 through stem No.2 to connect leg No.5 and 8 b wrench supplied.
3. Fasten screw No.9 through stem No.3 to connect leg No.5 and 8 b wrench supplied.
4. Fasten screw No.9 through stem No.4 to connect leg No.6 and 7 b wrench supplied.
5. Slide eight plastic grippers on to tubes.

<u>Assembly Part No.</u>	<u>Quantity</u>	<u>Description</u>
#1	8	No.9 Screw
#2	8	Plastic Grippers
#3	1	Wrench